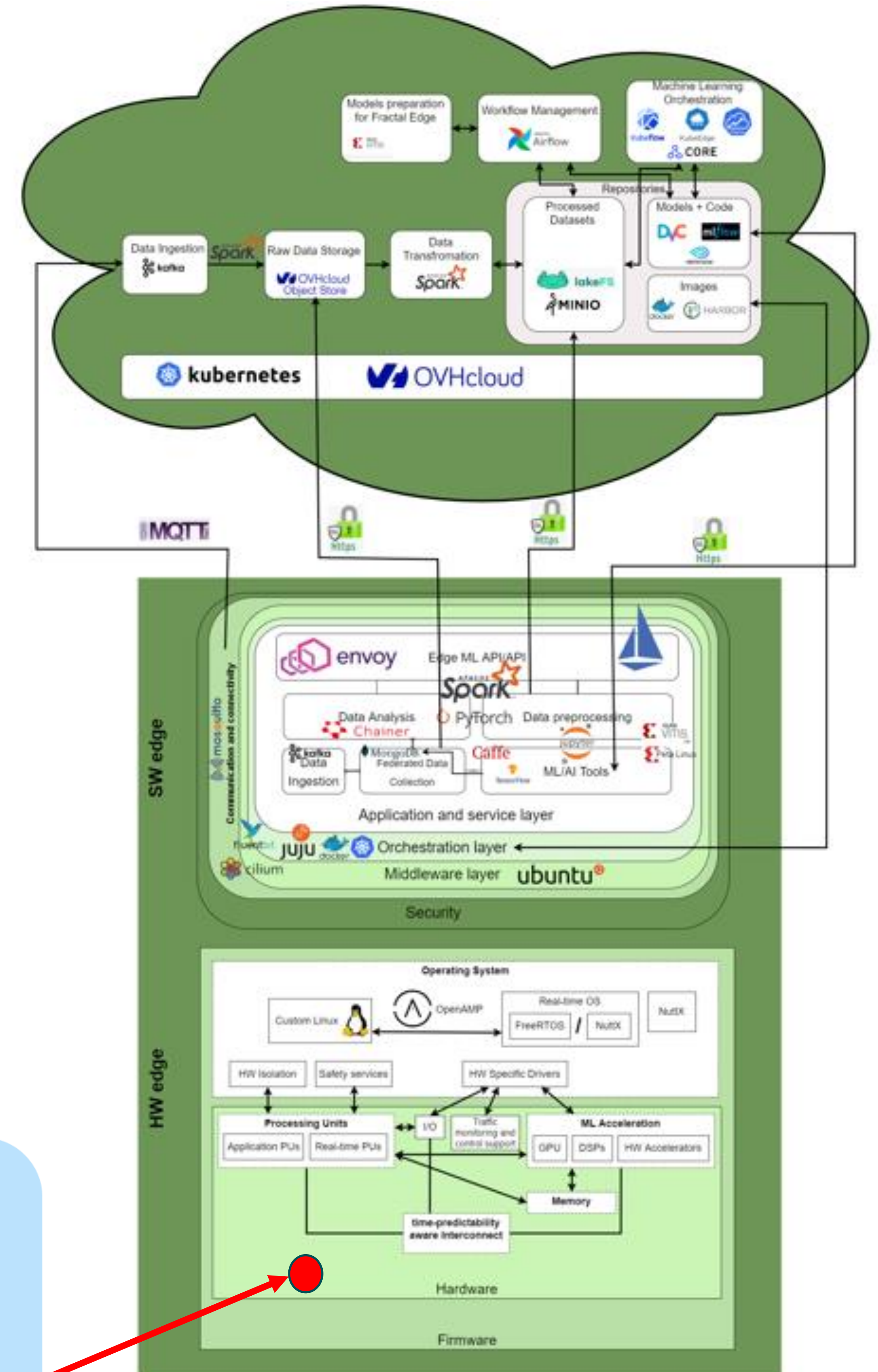




Component description

- Objective of the component: Enhance the common Versal platform to strictly separate functional accesses, services from underlying HW access
- Fractal Features associated: SAFETY [ISO 61508] LOW POWER [POWER SERVICES]
- Inputs/Outputs: physical Versal platform design can be augmented by isolation settings
- Integration: WP4T41-04

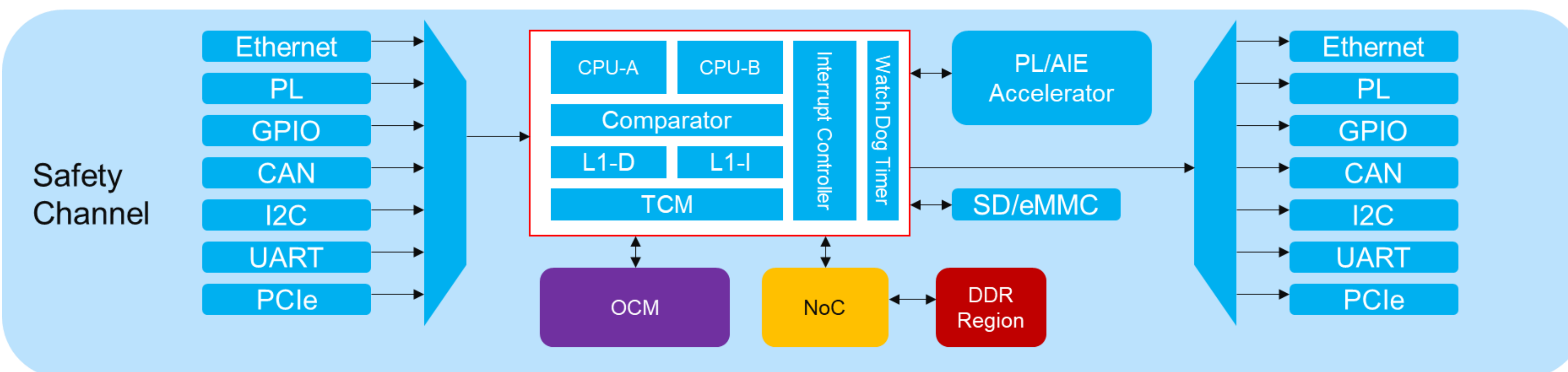
Component location



Images/Diagrams to describe the component and its processes

In the basic hardware description of the Versal VCK190 safety centric design a defined subset of hardware features are exclusively accessible from within the safety channel as devised by this component.

If application code has to access these features for cognitive features [monitoring and control] a service can be provided through WP4T41-04 to act as proxy into the safety channel.



Get started

To migrate to a safety enhanced platform:

- Obtain the safety enhanced platform (xpfm) from the PLC2 repository (beta still)
- Extend the designs by focused mission mode logic and application code in the non-safe domain of the APUs
- Introduce the protocol level libraries from WP4T41-04.
- Request additional safety requirements (e.g. exposing STL functionality) to improve the beta state safety definition.

